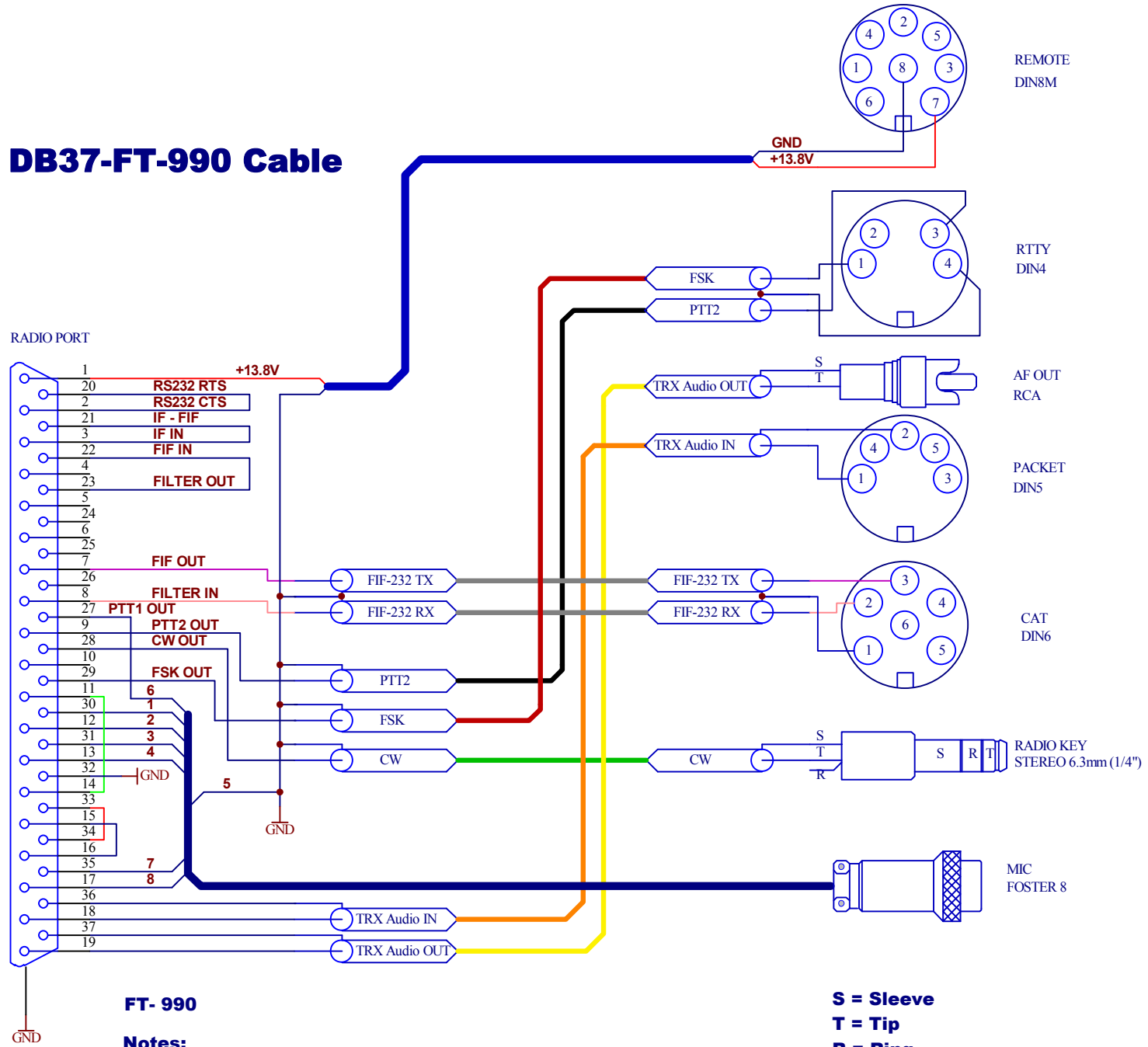


DB37-FT-990 Cable



FT- 990

Notes:

Use PTT1 for CW SSB, PTT2 for digital modes

**S = Sleeve
T = Tip
R = Ring**