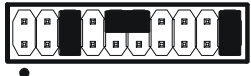
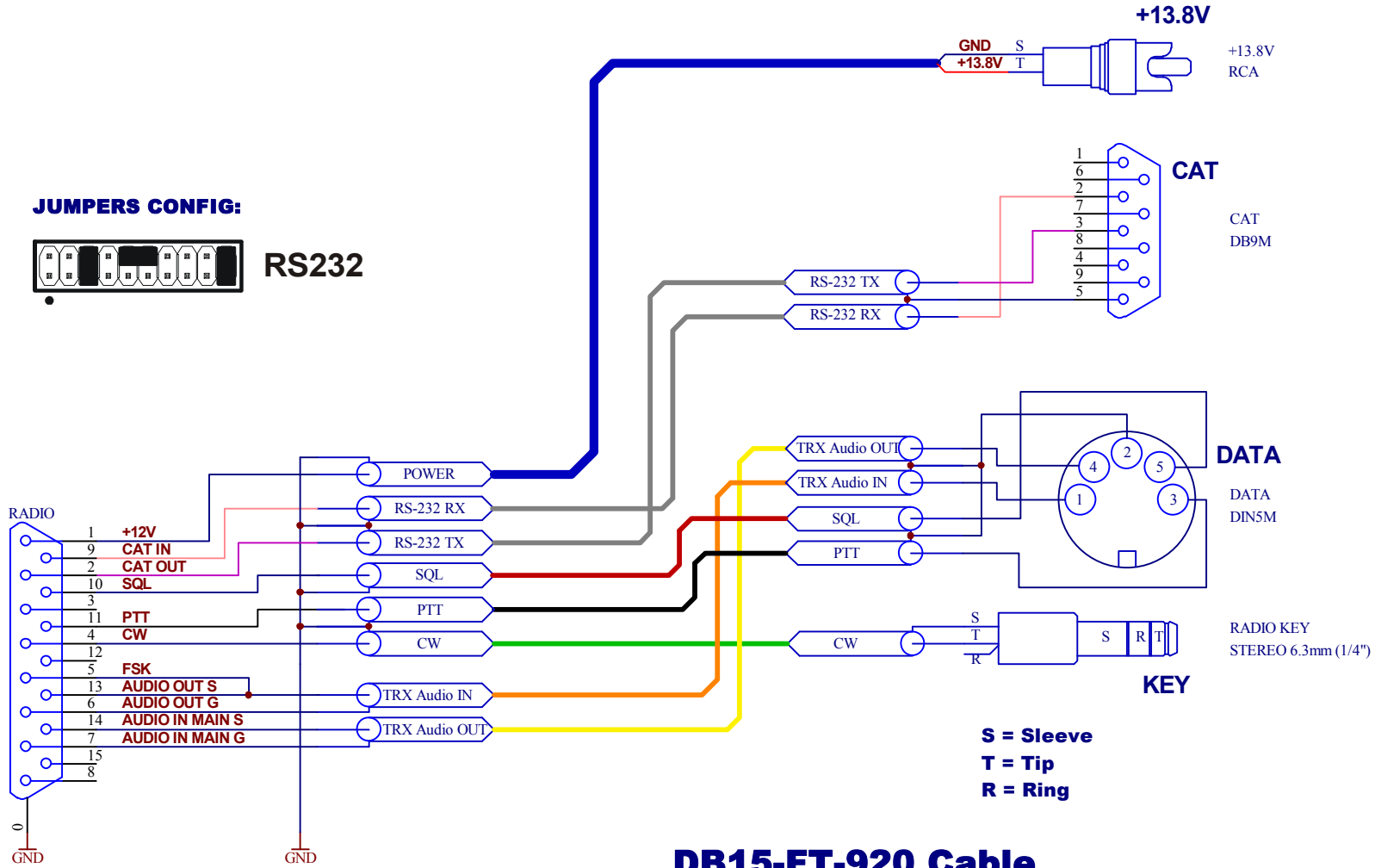


JUMPERS CONFIG:



RS232



S = Sleeve
T = Tip
R = Ring

DB15-FT-920 Cable

FT-920