

ANTENNA SPECIFICATION

MODEL : 17010.12

ELECTRICAL ITEM	SPECIFICATIONS	REMARKS
Type of antenna	Sleeve dipole antenna	
Frequency range	2.40~2.48 GHz	
Nominal impedance	50 Ohm	
Polarization	Vertical	
V.S.W.R	Less than 2.0	
Gain	2.15 dBi	

MECHANICAL ITEM	SPECIFICATIONS	REMARKS
RADIATOR	7×φ0.1 StCuAg	RG-178 Cable wire
Sleeve	Urethane	Black
CABLE	RG-178	Black jacket
Connector	SMA Male	S/T-Type
Antenna total length	85.5±2mm	

WiMo Antennen und Elektronik GmbH

Am Gäxwald 14, D-76863 Herxheim Tel. (07276) 96680 FAX 6978

<http://www.wimo.com> e-mail: info@wimo.com

Vertical diagram 17010.12

Measured at

2.40 GHz

2.45 GHz

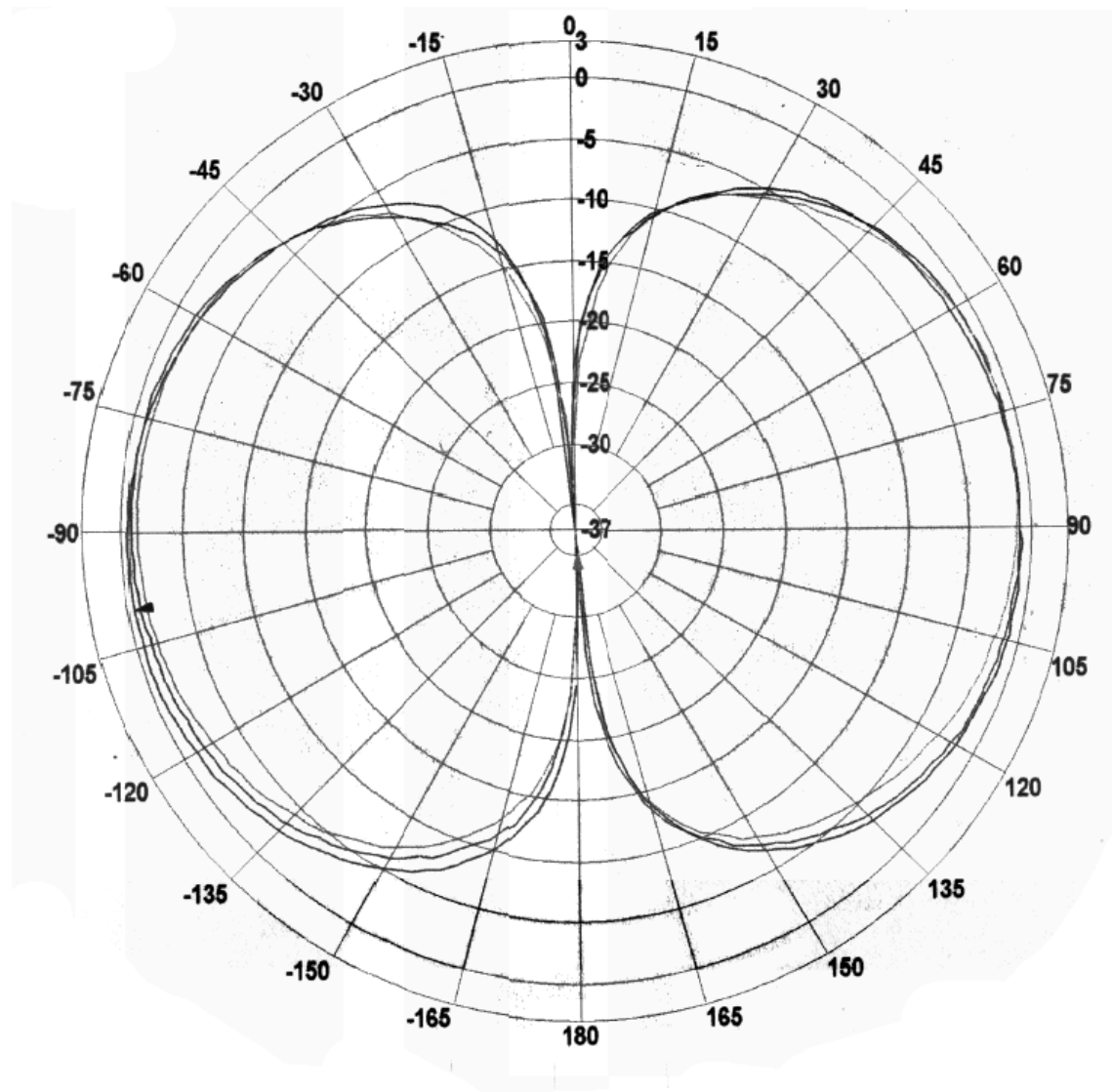
2.50 GHz

Beam peak values

Frequency	[dB]	at [deg]
2.40 GHz	-0,61	-99,94
2,45 GHz	-0,74	81,95
2,50 GHz	-0,64	67,96

Null depth values

Frequency	[dB]	at [deg]
2.40 GHz	-38,47	-4,00
2,45 GHz	-53,94	-2,00
2,50 GHz	-41,44	177,90



Azimuth diagram 17010.12

Measured at

2.40 GHz

2.45 GHz

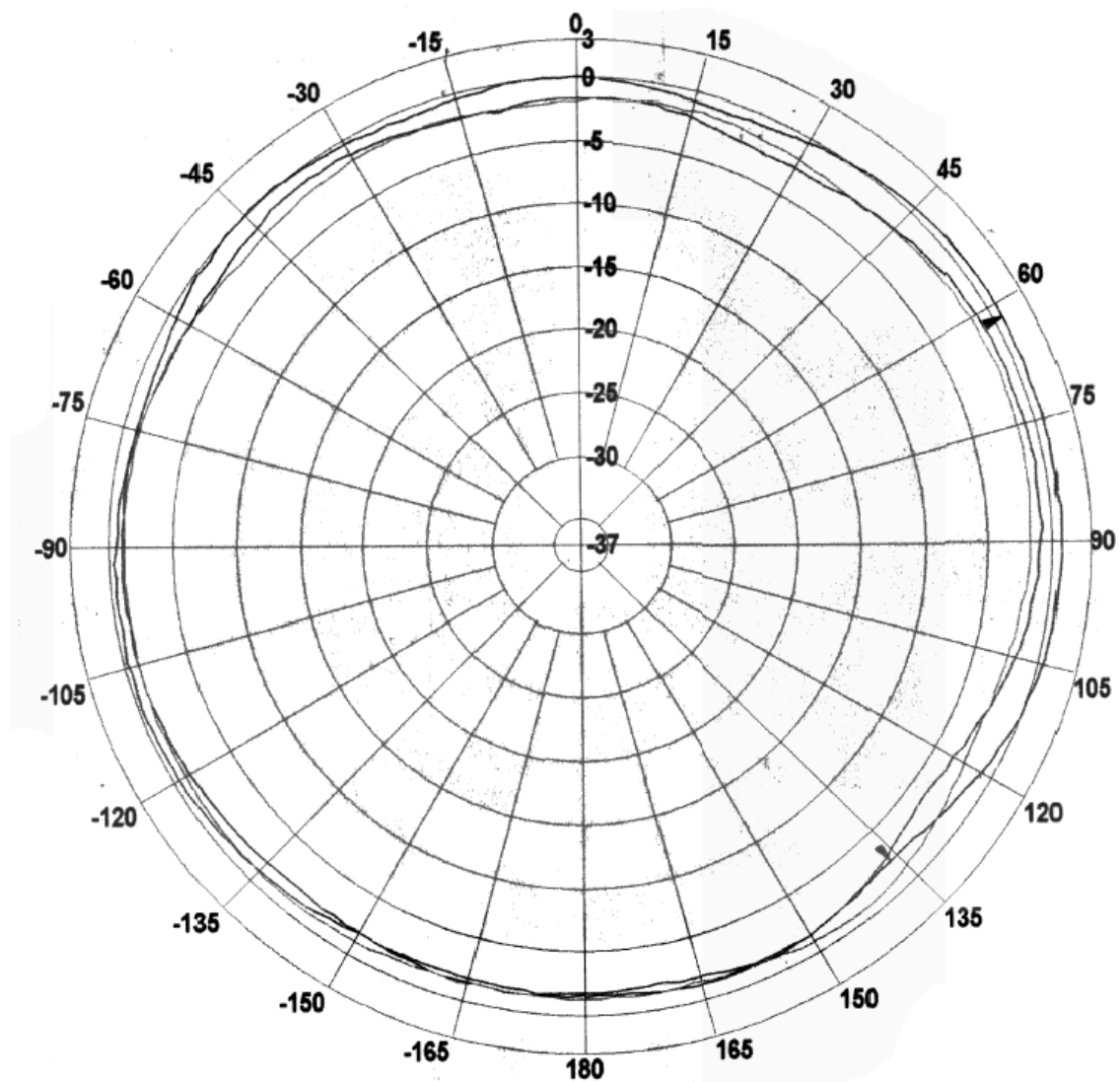
2.50 GHz

Beam peak values

Frequency	[dB]	at [deg]
2.40 GHz	0,85	61,97
2,45 GHz	-0,38	111,94
2,50 GHz	-0,69	143,92

Null depth values

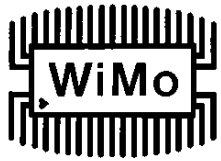
Frequency	[dB]	at [deg]
2.40 GHz	-2,26	135,92
2,45 GHz	-3,57	125,93
2,50 GHz	-2,59	113,94



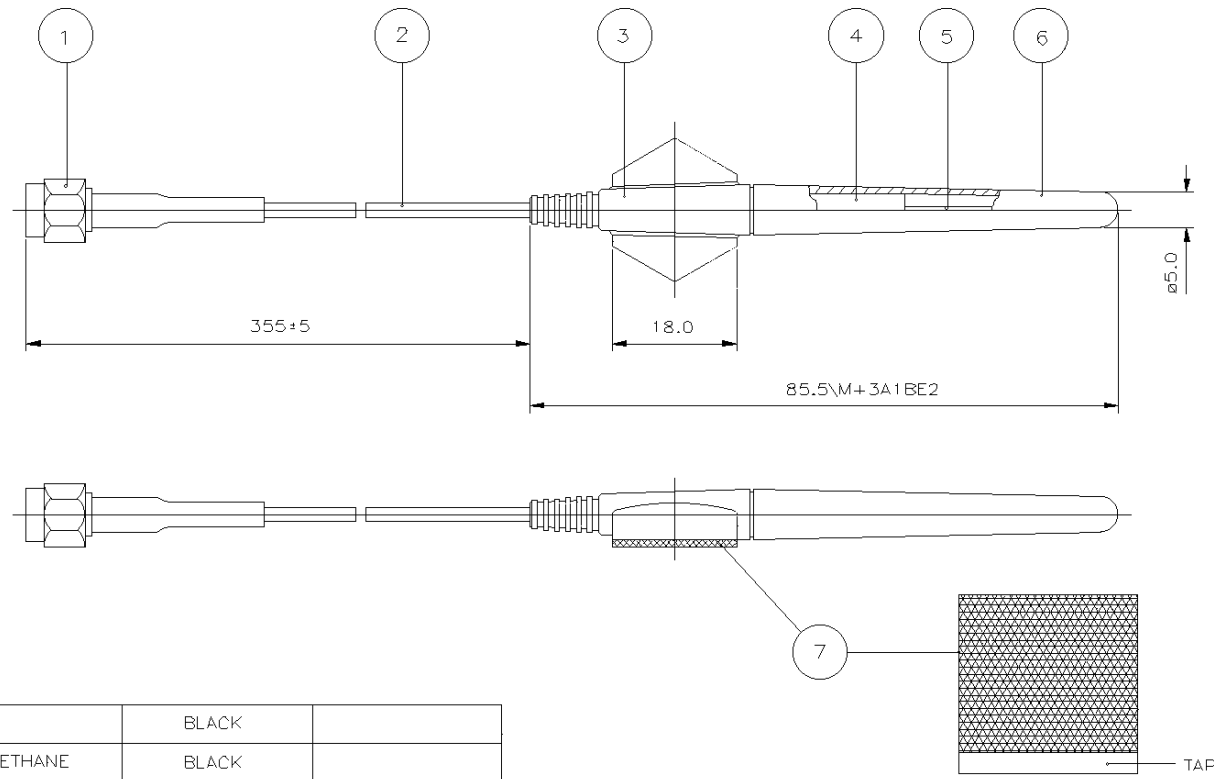
WiMo Antennen und Elektronik GmbH

Am Gäxwald 14, D-76863 Herxheim Tel. (07276) 96680 FAX 6978

<http://www.wimo.com> e-mail: info@wimo.com



REV. NO.	DESCRIPTION	DATE
1		
2		
3		
4		



7	VELCRO		BLACK	
6	SLEEVE	URETHANE	BLACK	
5	ELEMENT			
4	PIPE	Bs	-	
3	BASE	ABS	BLACK	
2	RG-178 CABLE	-	BLACK	
1	SMA CONNECTOR	Bs	Au-PLATING	
NO.	PARTS NAME	MATERIAL	FINISH	CODE NO.

NOTE	TOL. UNLESS NOTED X = ±1 X.X = ±0.5			UNIT	mm	TITLE	17010.12
				SCALE	1 / 1		
DRAWN		CHECKED		FILE NAME	2400DV14SMA	ORDER CO.	WIMO
REV. NO.	0	APPROVED		DATE	2001. 5.29	DWG. NO.	HA-2400D-V14SMA